



## FOR PRICE TAG APPLICATIONS

Evolis 3TAG blank PVC cards are the ideal solution for Price Tag applications when you need to highlight specific features (promotion, organic food, label, handmade, etc.) or to label small items (such as chocolates). Composed of 3 divisible parts, you can print different mini tags at the same time.

### ADVANTAGES

The 3TAG cards are an easy, affordable and modular way to manage your communication. Additionally, as the cards are in PVC, they are flexible but very resistant and solid.

Tested and validated by Evolis R&D and Quality departments, these consumables bring you printing quality and reliability.

#### Product Information

- PVC cards
- Blank White
- 3 Tags
- 30 mil



#### Compatible with Evolis Price Tag Accessories

In particular with our H-Gripper Part# AC000009 in order to maintain one mini tag with your standard price tag card CR80



### GENERAL SPECIFICATIONS

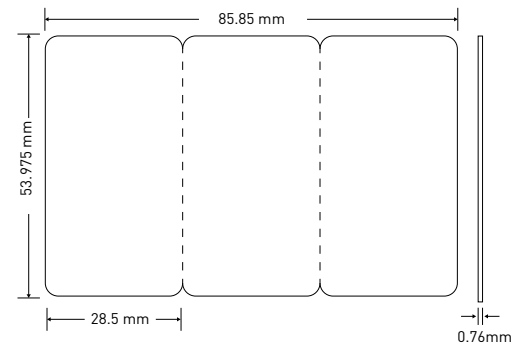
#### Features:

- Cards in PVC – Blank white - Mirror finish
- Compliant with ISO CR-80 (ISO 7810) standards

#### Dimension:

85.85 mm x 54 mm (3 3/8" x 2 1/8")  
3 tags: 28.5 mm x 54mm (1 1/8" x 2 1/8")

- Thickness: 0.76 mm / 30 mil
- For monochrome color printing only, text & logo
- Cards lifespan: 3 years  
*(minimum lifespan based on a credit card usage – high frequency)*



#### Compatibility and packaging

PART#	PACKAGE	ZENIUS/ PRIMACY	EDIKIO ACCESS	EDIKIO FLEX	EDIKIO DUPLEX
C4521	1 box of 100 cards	•	From S/N: 10000624280	•	•

#### Storage Information:

The cards shall be capable of functioning for up to 2/3 years after purchase if stored in a cool, dry environment and having remained unopened from the original packaging. Temperature of storage must be between 15-30°C (59-86°F) and at RH between 10-60%. Once opened, avoid dust, direct sunlight, high humidity and high temperatures. Do not place near solvent or other chemicals.

### INSTRUCTIONS FOR USE

In order to optimize the printing quality and card durability:

- Do not use cards that have been damaged, folded or dropped on the floor.
- Do not touch the printable surface of the cards in order to preserve print quality.
- Do not use in high temperature conditions. Do not place near heat sources or open flames (degradation above 60°C / 140°F). Avoid thermal shock.
- Avoid dishwasher and chemicals, wash your printed cards using clean cold water.